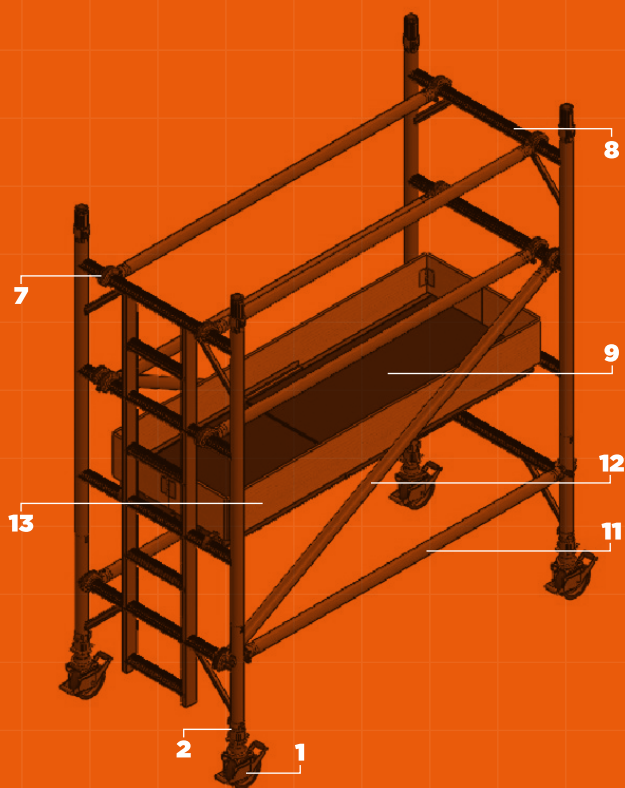


SINGLE WIDTH TOWER L 1.8m x W 0.85m

WORKING HEIGHT 3.2M | PLATFORM HEIGHT 1.2M



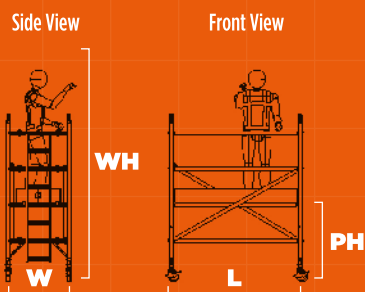
SPECIFICATION



TOWER COMPONENTS

Item	Description	Quantity
1	150mm Locking Caster	4
2	Adjustable Leg 500mm	4
3	1m Ladder Frame	0
4	1m Span Frame	0
5	1.5m Ladder Frame	0
6	1.5m Span Frame	0
7	2m Ladder Frame	1
8	2m Span Frame	1
9	1.8m Trapdoor Platform	1
10	1.8m Fixed Platform	0
11	1.8m Horizontal Brace	6
12	2.1m Diagonal Brace	2
13	Complete Toe Board Set	1
14	S1 Stabiliser	0
15	S2 Stabiliser	0
16	Instruction Manual & EN1004:-1:2020 certificate of conformity	1

TECHNICAL INFORMATION



Base Dimensions (L x W)	1.8 x 0.85
Max Platform Height (PH)	1.2
Max Working Height (WH)	3.2
Max Working Load	275 per Platform / 950 per Tower*
Weight (kg)	74.2

All dimensions in metres. *Includes tower weight.

Need more information?

Call us on 01531 820541 or
email info@lfi-ladders.co.uk

 britishladders.co.uk

